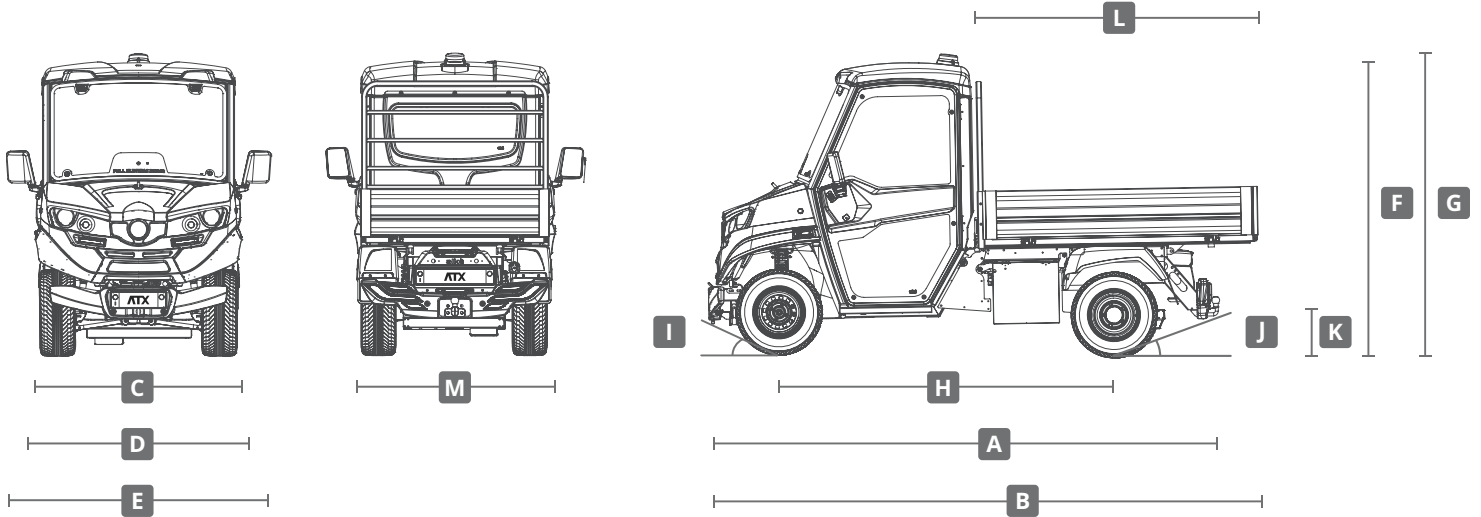




DR1

**alkè**  
ELECTRIC VEHICLES

# ATX 340E



	340	weight [kg]
	E	
<b>TYPE-APPROVAL   CAB SEATS</b>		
EU on-road type-approval	N1	
seats inside the cab	2	
right-hand drive	Δ	+ 0.0
<b>PERFORMANCE</b>		
top speed	[ km/h ]	44
maximum negotiable slope (with high-performance batteries)	[ % ]	30
maximum autonomy (R101 test with 10.0kWh battery in SPORT mode: 74 km)	Lead-Acid 10 kWh [ km ]	—
	Lead-Acid 14.4 kWh [ km ]	90
	Gel 8.7 kWh [ km ]	—
	Gel 13.2 kWh [ km ]	80
	Lithium (LiFePO4) 10 kWh [ km ]	80
	Lithium (LiFePO4) 20 kWh [ km ]	150
<b>DIMENSIONS</b>		
A length (chassis version)	[ mm ]	3.220
B length (version with cargo bed)	[ mm ]	3.530 <sup>(1)</sup> 3.730 <sup>(2)</sup>
C vehicle cab width (without rear-view mirrors)	[ mm ]	1.215
D vehicle cab width (with wing mirrors closed)	[ mm ]	1.380
E vehicle cab width (with wing mirrors open)	[ mm ]	1.650
F cab height (with standard tyres)	[ mm ]	1.890
G vehicle height with beacon light (with standard tyres)	[ mm ]	1.980
H wheelbase	[ mm ]	2.130 <sup>(1)</sup> 2.230 <sup>(2)</sup>
I approach angle	[ ° ]	40
J departure angle	[ ° ]	12 <sup>(1)</sup> 10 <sup>(2)</sup>
K rear axle distance from ground	[ mm ]	130

	340	weight [kg]
	E	
L maximum loading bed length	[ mm ]	1.800 <sup>(1)</sup> 2.000 <sup>(2)</sup>
M maximum loading bed width	[ mm ]	1.500
standard dropside box dimensions (length x width)	[ mm ]	1.800 x 1.240
<b>WEIGHTS   CAPACITY AND TOWING</b>		
UVW   unloaded vehicle weight (chassis version with battery)	Lead-Acid 10 kWh [ kg ]	—
	Lead-Acid 14.4 kWh [ kg ]	1.170
	Gel 8.7 kWh [ kg ]	—
	Gel 13.2 kWh [ kg ]	1.170
	Lithium (LiFePO4) 10 kWh [ kg ]	875
	Lithium (LiFePO4) 20 kWh [ kg ]	965
GVW   gross vehicle weight (max weight for fully-loaded vehicle)	[ kg ]	2.150
GCW   gross combined weight (max weight for fully-loaded vehicle + trailer)	[ kg ]	4.100
maximum towing capacity (on road   braked trailer)	[ kg ]	2.000
maximum traction power	[ N ]	5.230
maximum towing capacity (not on road   braked trailer)	[ kg ]	3.000
maximum chassis load capacity (= GVW - UVW)	Lead-Acid 10 kWh [ kg ]	—
	Lead-Acid 14.4 kWh [ kg ]	980
	Gel 8.7 kWh [ kg ]	—
	Gel 13.2 kWh [ kg ]	980
	Lithium (LiFePO4) 10 kWh [ kg ]	1.275
	Lithium (LiFePO4) 20 kWh [ kg ]	1.185



	340	weight
	E	[kg]
<b>MOTOR   CONTROLLER</b>		
48V AC asynchronous induction electric motor	•	
maximum motor power	[ kW ] 14	
maximum motor torque	[ Nm ] 113	
CURTIS 48V control electronics	•	
vehicle performance settings (ECO and SPORT)	•	
auxiliary cooling system for motor / controller	Δ	+ 2.0
<b>TRANSMISSION</b>		
transmission with electronic speed variation	•	
rear wheel drive	•	
heavy duty differential unit	•	
<b>SUSPENSIONS</b>		
front suspension with MacPherson type independent wheels	•	
rear suspension with De-Dion bridge and stabiliser bar	•	
<b>BRAKES</b>		
front hydraulic discs brakes and rear hydraulic drum brakes	•	
rear hydraulic drum brakes with mechanical servobrake	•	
parking brake	•	
regenerative brake	•	
<b>STEERING</b>		
rack and pinion steering	•	
electric power steering (EPS)	Δ	+ 7.0
minimum turning radius   internal	[ mm ] 2,600 <sup>(1)</sup> 2,620 <sup>(2)</sup>	
<b>BODY   CHASSIS</b>		
white body	•	
customised body colour	Δ	+ 0.0
steel chassis with anti-corrosion treatment and powder coating finish	•	
impact-resistant polyethylene front and rear bumpers	•	
<b>SAFETY</b>		
3-point seat belt for driver and passenger(s)	•	
immobilizer and presence sensor on driver's seat	•	
steering lock with key	•	
horn / reverse buzzer	•	
forward gear buzzer activable from dashboard	Δ	
safety switch inside the cab for 48 V drive battery	•	
safety switch inside the cab for 12 V service battery	•	
tyre repair kit	•	
<b>LIGHTS</b>		
front and rear lights in road style	•	
full LED rear lights	•	
rear fog light and LED reversing light	•	
LED DRL lights	•	
orange flashing LED on cab roof	Δ	+ 2.0
blue flashing LED on cab roof	Δ	+ 2.0
<b>CAB   COMFORT</b>		
timed heated windshield	•	
electric demister	Δ	+ 7.0
Webasto heating (as an alternative to electric demister)	Δ	+ 13.0
air-conditioning	Δ	+ 25.0
adjustable seats	•	
front doors	•	
front doors with sliding windows	Δ	+ 0.0
rear doors	—	
protective grids for front doors	Δ	+ 6.5
armrests	Δ	+ 3.5
headrests	•	

	340	weight
	E	[kg]
rear seat bench	—	+ 22.0
cab interior lighting	•	
car audio system AM/FM with USB and Bluetooth	Δ	
car audio system AM/FM/DAB/DAB+ with USB and Bluetooth	Δ	
rear speakers for 4-seats models	—	
openable front windscreen	•	
central door locks with remote control	Δ	
windscreen wiper with windscreen washer	•	
<b>DASHBOARD</b>		
ECO / SPORT selector	•	
12V 10A socket	•	
speedometer (km / mph)	•	
hour meter	•	
indicators	•	
battery state of charge	•	
battery capacity	•	
motor temperature	•	
inverter temperature	•	
inverter errors	•	
current delivered by inverter	•	
dashboard LCD colour display	•	
warning lights	•	
indicators	•	
doors lock	•	
oil shortage	•	
lifted cargo bed	•	
heated windshield	•	
side lights	•	
low beam headlights	•	
headlights	•	
rear fog light	•	
electric demister	•	
EPS	•	
Webasto fuel shortage	•	
beacon light	•	
battery on charge status	•	
electric motor overheating	•	
forward gear	•	
backward gear	•	
neutral gear	•	
emergency lights	•	
aux 1	•	
aux 2	•	
<b>BATTERY</b>		
type	Lead-Acid 10 kWh	—
	Lead-Acid 14.4 kWh	•
	Gel 8.7 kWh	—
	Gel 13.2 kWh	Δ
	Lithium (LiFePO4) 10 kWh	Δ
	Lithium (LiFePO4) 20 kWh	Δ
number of batteries	Lead-Acid 10 kWh	—
	Lead-Acid 14.4 kWh	24x2V
	Gel 8.7 kWh	—
	Gel 13.2 kWh	24x2V
	Lithium (LiFePO4) 10 kWh	1x48V
	Lithium (LiFePO4) 20 kWh	1x48V

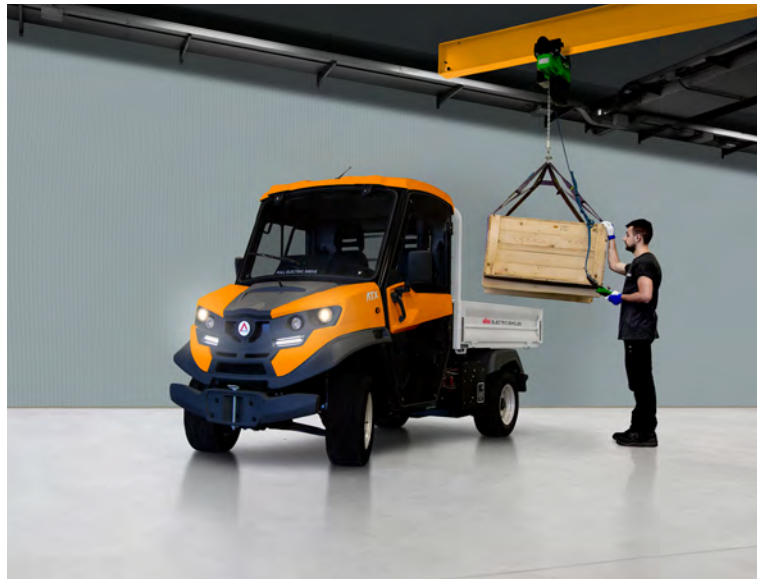


		340	weight			340	weight
		E	[kg]			E	[kg]
estimated battery life	Lead-Acid 10 kWh [cycles]	—		flatbed for special configurations	130 x 123 cm	—	+ 80.0
	Lead-Acid 14.4 kWh [cycles]	1.500			180 x 123 cm	Δ <sup>(1)</sup>	+ 90.0
	Gel 8.7 kWh [cycles]	—			200 x 140 cm	Δ <sup>(2)</sup>	+ 120.0
	Gel 13.2 kWh [cycles]	1.200		mesh sides extension H55 cm with rear drop side with upwards opening	for body 130 x 123 cm	—	+ 25.0
	Lithium (LiFePO4) 10 kWh [cycles]	2.000			for body 180 x 123 cm	Δ <sup>(1)</sup>	+ 29.0
	Lithium (LiFePO4) 20 kWh [cycles]	2.000			for body 200 x 140 cm	Δ <sup>(2)</sup>	+ 30.0
estimated battery charge time	Lead-Acid 10 kWh [hours]	—		COMBI mesh sides extension H55 cm 150 x 123 cm with rear drop side		Δ <sup>(2)</sup>	+ 30.0
	Lead-Acid 14.4 kWh [hours]	8		electro-hydraulic tipping for dropside body unit	for body 130 x 123 cm	—	+ 14.0
	Gel 8.7 kWh [hours]	—			for body 150 x 123 cm	Δ <sup>(2)</sup>	
	Gel 13.2 kWh [hours]	11			for body 180 x 123 cm	Δ <sup>(1)</sup>	+ 15.0
	Lithium (LiFePO4) 10 kWh [hours]	3.5			for body 200 x 140 cm	Δ <sup>(2)</sup>	+ 15.0
	Lithium (LiFePO4) 20 kWh [hours]	6.5		dropside body 180 x 123 cm with three side hydraulic tipping		Δ <sup>(1)</sup>	+ 190.0
	Lithium (LiFePO4) 10 kWh with quick charge [hours]	1.5		tarpaulin body H108 cm openable on three sides for dropside body	for body 130 x 123 cm	—	+ 25.0
	Lithium (LiFePO4) 20 kWh with quick charge [hours]	2.6		tarpaulin body H108 cm openable on three sides for dropside body	for body 180 x 123 cm	Δ <sup>(1)</sup>	+ 30.0
consumption for complete recharge	Lead-Acid 10 kWh [kWh]	—		tarpaulin body H115 cm openable on three sides for dropside body	for body 200 x 140 cm	Δ <sup>(2)</sup>	+ 35.0
	Lead-Acid 14.4 kWh [kWh]	13		custom colour for tarpaulin body		Δ	+ 0.0
	Gel 8.7 kWh [kWh]	—		tarpaulin body H110 cm for COMBI 150 x 123 cm dropside body		Δ <sup>(2)</sup>	35.0
	Gel 13.2 kWh [kWh]	12		removable rear seats kit with two independent seats, platform and 2-points seat belts		! <sup>(1)</sup>	+ 45.0
	Lithium (LiFePO4) 10 kWh [kWh]	8.4		tarpaulin roof H105 for rear seats kit		Δ <sup>(1)</sup>	+ 30.0
	Lithium (LiFePO4) 20 kWh [kWh]	16.8		ambulance body equipped with spine board and box/seat for medical staff		! <sup>(1)</sup>	+ 75.0
12 V services auxiliary battery		.		roof for ambulance body		Δ <sup>(1)</sup>	+ 20.0
	(power supply 230V 16A 50-60Hz)	.		box van body H122 cm 180 x 125 cm with sliding doors (2 per side)		Δ <sup>(1)</sup>	+ 130.0
battery charge on vehicle (PFC active)		.		box van body H122 cm 200 x 140 cm with sliding doors (2 per side)		Δ <sup>(2)</sup>	+ 170.0
	(power supply 380V 16A 50-60Hz)	Δ	(ext.) +15.0	box van body with side roller shutters H132 cm 180 x 125 cm		Δ <sup>(1)</sup>	+ 150.0
external quick battery charge (Lithium only)		.		box van body with side roller shutters H132 cm 200 x 140 cm		Δ <sup>(2)</sup>	+ 180.0
		.		set 2 shelves for box van body with sliding doors (each shelf covers half of the depth)	180 x 125 cm	Δ <sup>(1)</sup>	+ 8.0
battery swap system	Lead-Acid 14.4 kWh	.			200 x 140 cm	Δ <sup>(2)</sup>	+ 12.0
	Gel 13.2 kWh	.		dropside body 150 x 123 cm COMBI		Δ <sup>(2)</sup>	
battery top-up	Lead-Acid 10 kWh	Δ	+ 0.0	COMBI storage box 45 x 125 cm H110 cm		Δ <sup>(2)</sup>	
	Lead-Acid 14.4 kWh	Δ	+ 0.0	COMBI waste collection body (1.7 m3 version)		Δ <sup>(2)</sup>	
CONFIGURATIONS AND CARGO AREA ACCESSORIES		.		watering unit with 600 L tank		Δ	+ 140.0
	dropside body with manual tipping (aluminium drop sides H30 cm)	130 x 123 cm	—	+ 105.0	COMBI high pressure cleaner with 210 L tank and 20 m hose	Δ	
	180 x 123 cm	Δ <sup>(1)</sup>	+ 130.0	tail lift and dropside body 200 x 140 cm H30 cm with mesh sides extension H55 cm	—	+ 370.0	
	200 x 140 cm	Δ <sup>(2)</sup>	+ 160.0	tail lift and box van body 200 x 140 cm	—	+ 390.0	
				isothermal body H122 cm	180 x 125 cm	Δ <sup>(1)</sup>	+ 120.0
				isothermal body H132 cm	200 x 140 cm	Δ <sup>(2)</sup>	+ 140.0
				refrigerated body 0 +4 °C with side and rear door	180 x 124 cm	Δ <sup>(1)</sup>	+ 220.0
					200 x 140 cm	Δ <sup>(2)</sup>	+ 250.0
				waste collection body		Δ <sup>(1)</sup>	+ 200.0
				waste collection body with bin lift system		Δ <sup>(1)</sup>	+ 280.0
				tarp system for waste collection body		Δ <sup>(1)</sup>	+ 15.0
				broom and dustpan holder kit		Δ	+ 8.0
				semi-trailer coupling system fitting DIN Ø40 drawbar eyes		Δ	+ 60.0
				reverse inching device for easy trailers coupling		Δ	+ 4.0
				semi-trailer coupling system with fifth wheel fitting 2" kingpins		Δ	+ 100.0

	340	weight
	E	[kg]
<b>FRONT / REAR ACCESSORIES</b>		
front pin tow hitch	•	
rear ball tow hitch	•	
rear trailer hitch with ball & pin coupling (instead of standard ball hitch)	Δ	+ 3.5
automatic tow hitch fitting DIN Ø40 drawbar eyes	Δ	+ 15.0
front protective bumper	•	
rear 13 pin connector	•	
show plough hydraulic kit	Δ	+ 10.0
snow plough	!	+ 82.0
electric salt spreader	Δ	+ 50.0
anti-roll kit	—	+ 5.0
rear hydraulic kit	Δ	+ 4.0
<b>TYRES</b>		
road tyres (front and rear 175/65 R14)	—	
road tyres (front and rear 175/70 R14)	•	
road tyres (front and rear 175/75 R14)	—	
low-profile road tyres (front and rear 225/55 R12)	•	
turf tyres (front and rear 23x8.50-12 6PR)	—	
turf tyres (front 23x8.50-12 6PR, rear 23x10.50-12 8PR)	!	
off-road tyres (front and rear 23x8.50-12 6PR)	—	
off-Road tyres (front 23x8.50-12 6PR and rear 23x10.50-12 8PR)	!	
spare wheel (provided separately)	Δ	(ext.) +18.0

## NOTE

**Top speed:** approximate, obtained on a flat surface in optimum usage conditions and in SPORT mode. **Maximum negotiable slope:** approximate and assessed with vehicle empty in ideal usage conditions on discontinuous ramps. **Maximum autonomy:** approximate and obtained on a flat surface, in optimum usage conditions, with ECO mode and energy saver and adopting a correct driving style, at a speed no higher than 60% of the maximum speed, for non-continuous use (battery discharged in 5 hours). **Estimated battery lifespan:** approximate figure, based on the information in the manufacturer's possession at the time this file was published. **Maximum towing capacity:** calculated in optimum usage conditions, the trailers must have repulsion brakes and comply with the law. Maximum vertical weight on the tow hitch: 120kg. **The technical specifications indicated in this catalogue** (performance, autonomy, dimensions, etc.) depend - or may depend - on temperature, terrain, driving style, accessories, load or use of the vehicle. The data usually refers to use on a flat surface in optimum usage conditions - i.e. a basic vehicle version with no load and with the lightest battery, on an even and paved road surface with an outdoor temperature of 25°C, the battery fully charged, on board electronic devices switched off, and without any other accessory consumption. **The technical specifications,** design and performance levels indicated in this technical data sheet are by way of example only and may be subject to modifications without prior notice.



Via Cile, 5  
35127 Padua | Italy



+39 049 761208



info@alke.com

**WWW**

www.alke.com



© 2018 Alkè

Rev. 180903



ISO 9001:2015- BN17607/17301  
ISO 14001:2015- BN17607/17302  
OHSAS 18001:2007- BN17607/17303

The technical specifications, design and performance levels indicated in this technical data sheet are by way of example only and may be subject to modifications without prior notice.